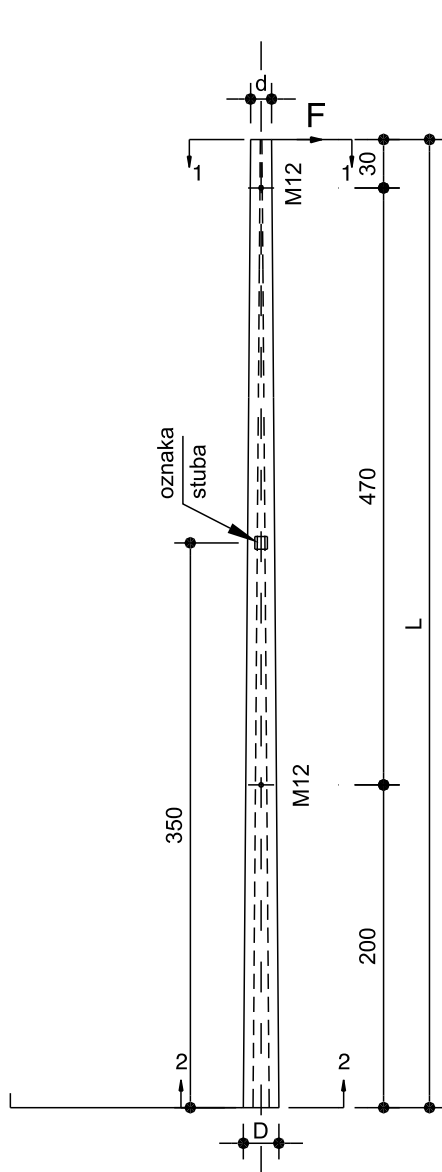
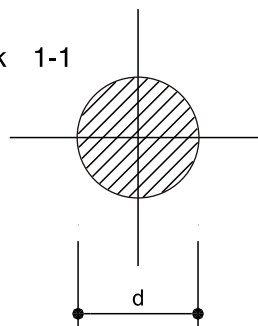


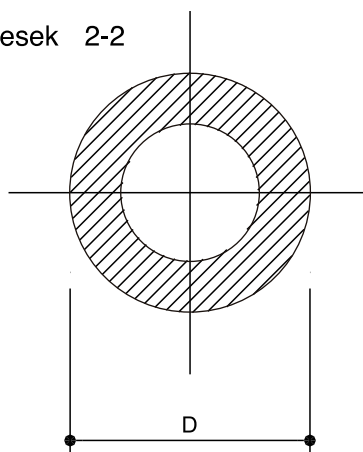
RAZVODNI A.B. STUB 7/F



Presek 1-1



Presek 2-2



| r.broj | Tip | L (m) | D (cm) | d (cm) | F (daN) |
|--------|-------|-------|--------|--------|---------|
| 1 | 7/100 | 7 | 23,5 | 13 | 100 |
| 2 | 7/150 | 7 | 23,5 | 13 | 150 |
| 3 | 7/200 | 7 | 23,5 | 13 | 200 |
| 4 | 7/315 | 7 | 23,5 | 13 | 315 |