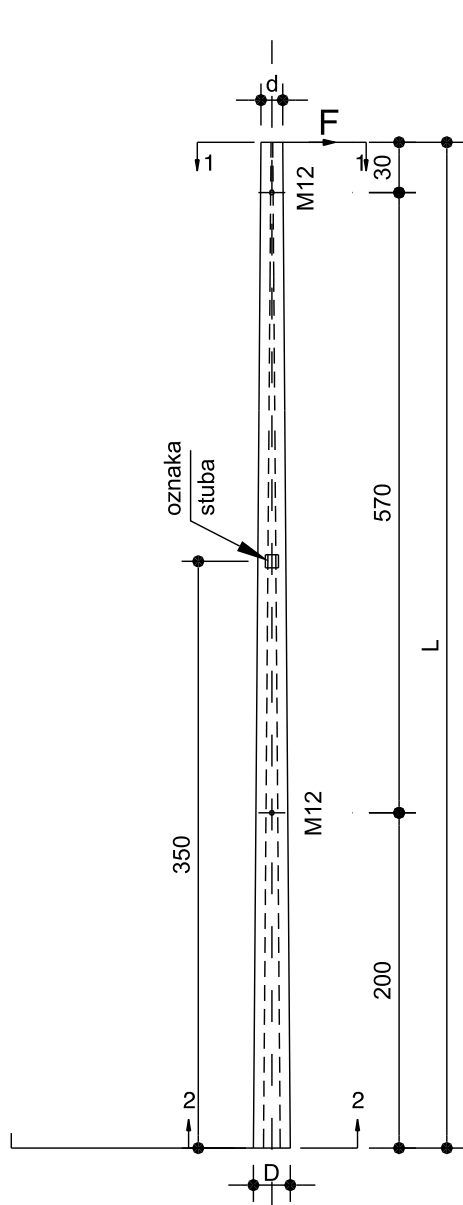
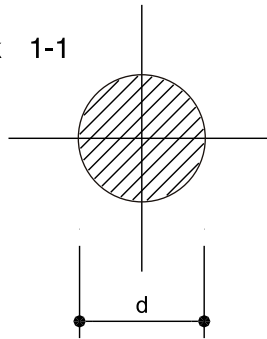


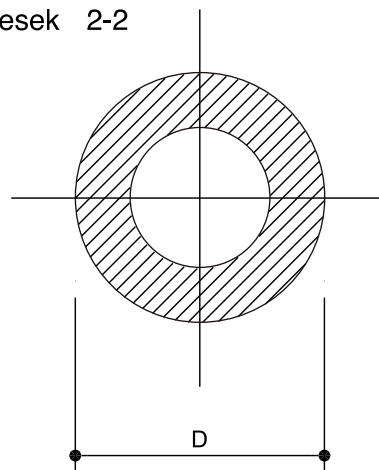
RAZVODNI A.B. STUB 8/F



Presek 1-1



Presek 2-2



r.broj	Tip	L (m)	D (cm)	d (cm)	F (daN)
1	8/100	8	25	13	100
2	8/150	8	25	13	150
3	8/200	8	25	13	200
4	8/315	8	25	13	315